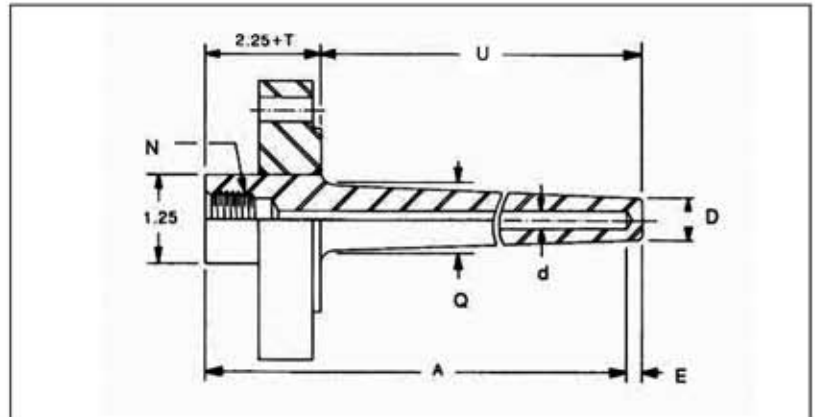


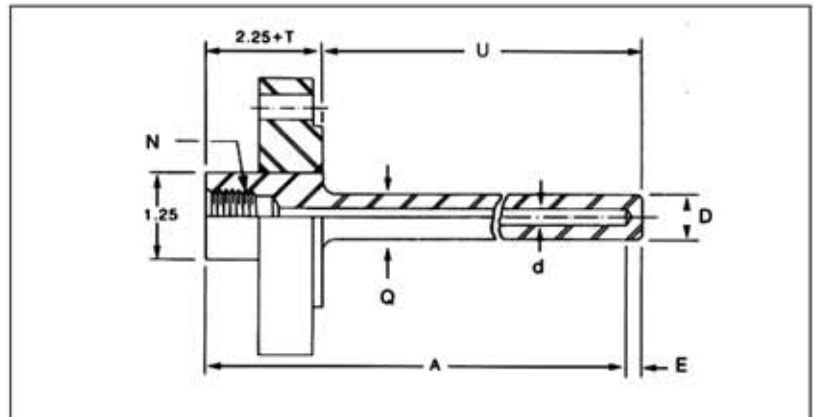
Tapered Thermowell



Catalog Number	Bore Size d	Root Diam Q	Tip Diam D
WF21	.260"	1.063"	.625"
WF31	.385"	1.063"	.766"

N = 1/2" NPT  
 E = .25" nominal  
 Dimensions for 1 1/2" flange sizes and larger.  
 Dimensions will change for smaller flange sizes.

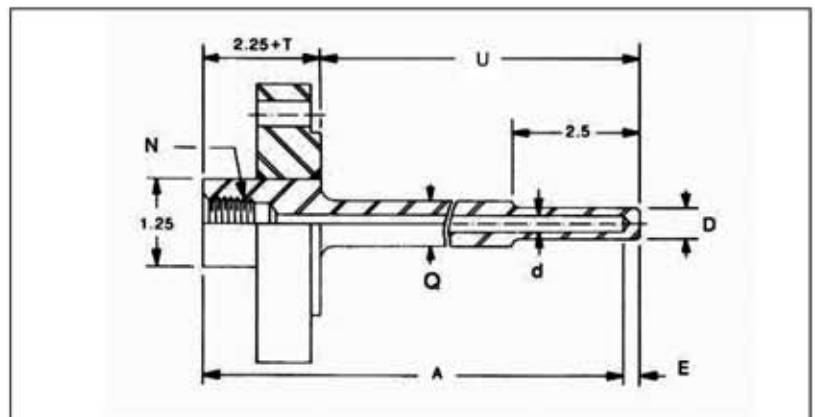
Straight Thermowell



Catalog Number	Bore Size d	Root Diam Q	Tip Diam D
WF22	.260"	.750"	.750"
WF32	.385"	.875"	.875"

N = 1/2" NPT  
 E = .25" nominal  
 Dimensions for 1 1/2" flange sizes and larger.  
 Dimensions will change for smaller flange sizes.

Reduced Tip Thermowell



Catalog Number	Bore Size d	Root Diam Q	Tip Diam D
WF23	.260"	.750"	.500"

N = 1/2" NPT  
 E = .25" nominal  
 Dimensions for 1 1/2" flange sizes and larger.  
 Dimensions will change for smaller flange sizes.