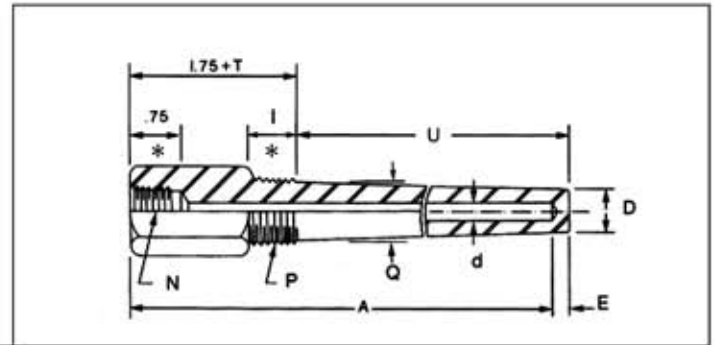


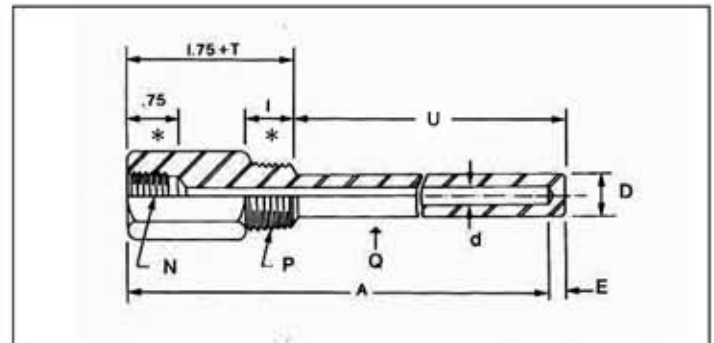
Tapered Thermowell



Catalog Number	Bore Size d	Process Conn P	Root Diam Q	Tip Diam D
WT21-12	.260"	3/4" NPT	.875"	.625"
WT21-16	.260"	1" NPT	1.063"	.625"
WT31-16	.385"	1" NPT	1.063"	.766"

N = 1/2" NPT  
 E = .25" nominal  
 \* Dimensions reversed when P=1/2"

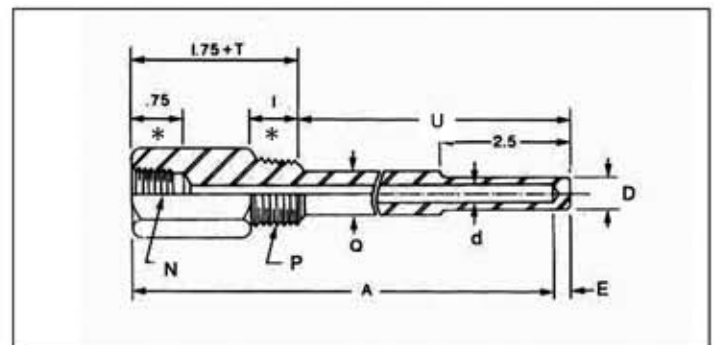
Straight Thermowell



Catalog Number	Bore Size d	Process Conn P	Root Diam Q	Tip Diam D
WT22-08	.260"	1/2" NPT	.625"	.625"
WT22-12	.260"	3/4" NPT	.750"	.750"
WT22-16	.260"	1" NPT	.875"	.875"
WT32-12	.385"	3/4" NPT	.766"	.766"
WT32-16	.385"	1" NPT	.875"	.875"

N = 1/2" NPT  
 E = .25" nominal  
 \* Dimensions reversed when P=1/2"

Reduced Tip Thermowell



Catalog Number	Bore Size d	Process Conn P	Root Diam Q	Tip Diam D
WT23-08	.260"	1/2" NPT	.625"	.500"
WT23-12	.260"	3/4" NPT	.750"	.500"
WT23-16	.260"	1" NPT	.875"	.500"

N = 1/2" NPT  
 E = .25" nominal  
 \* Dimensions reversed when P=1/2"